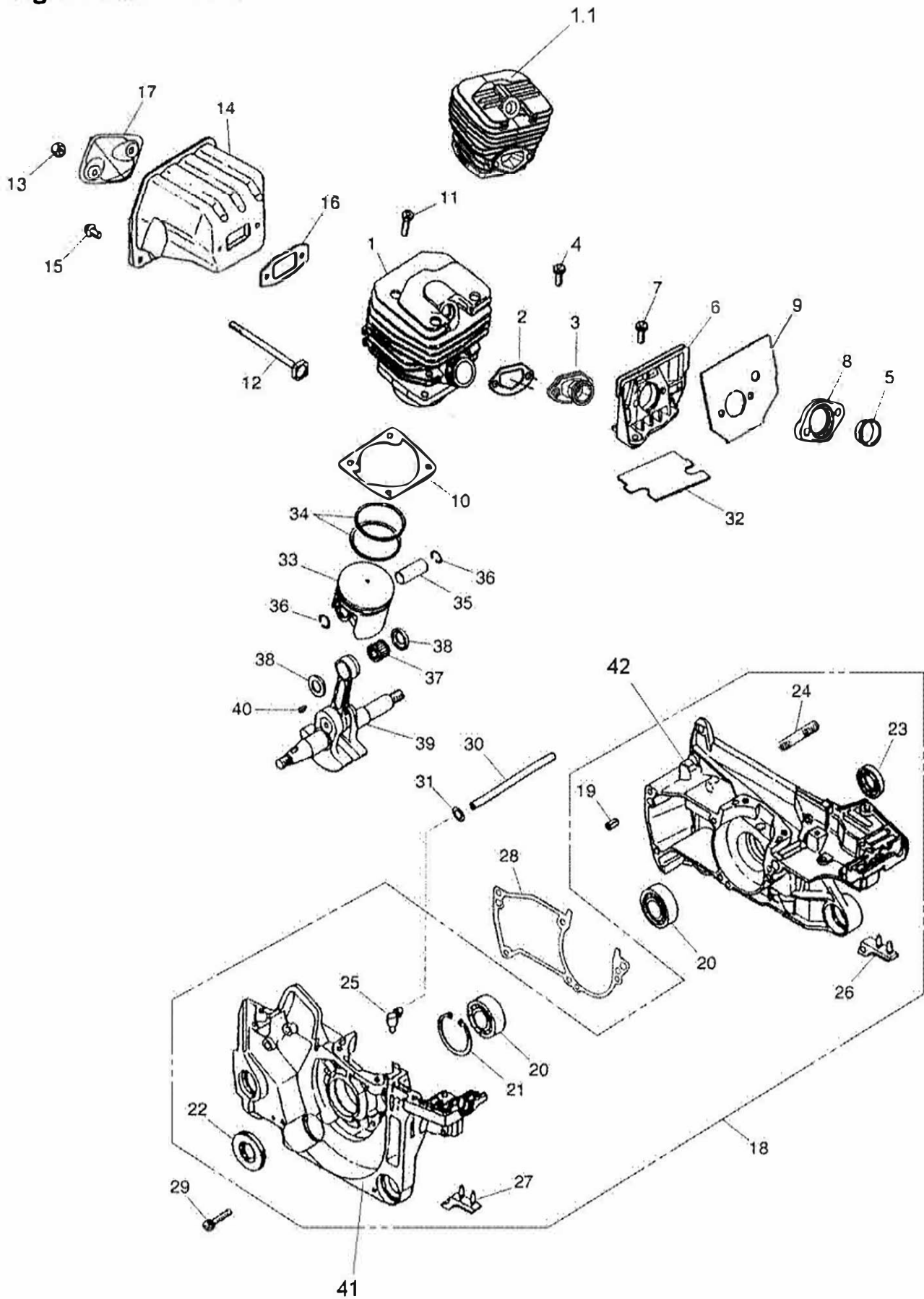


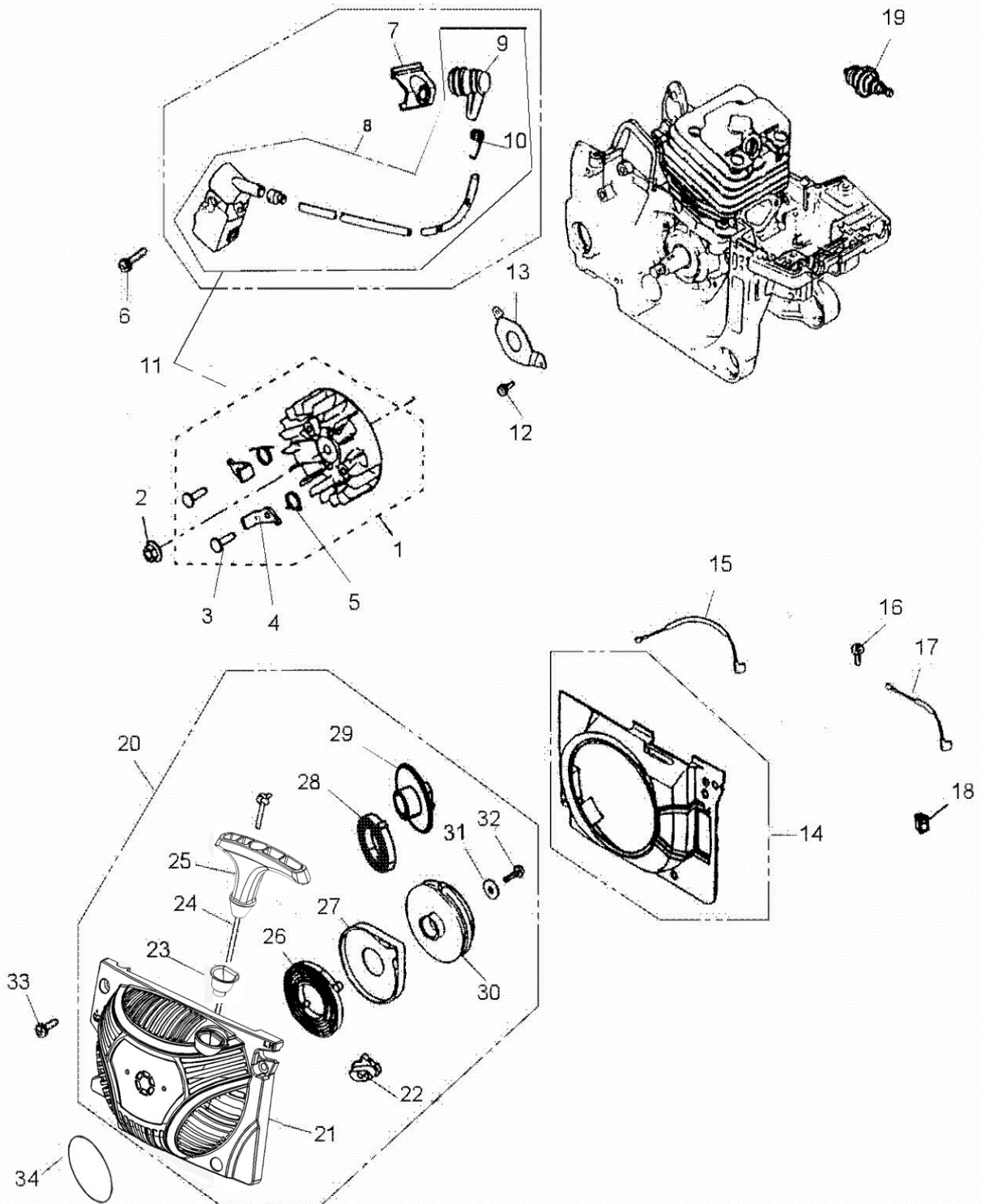
CS45A/52A/58A

Fig.1 POWER UNIT



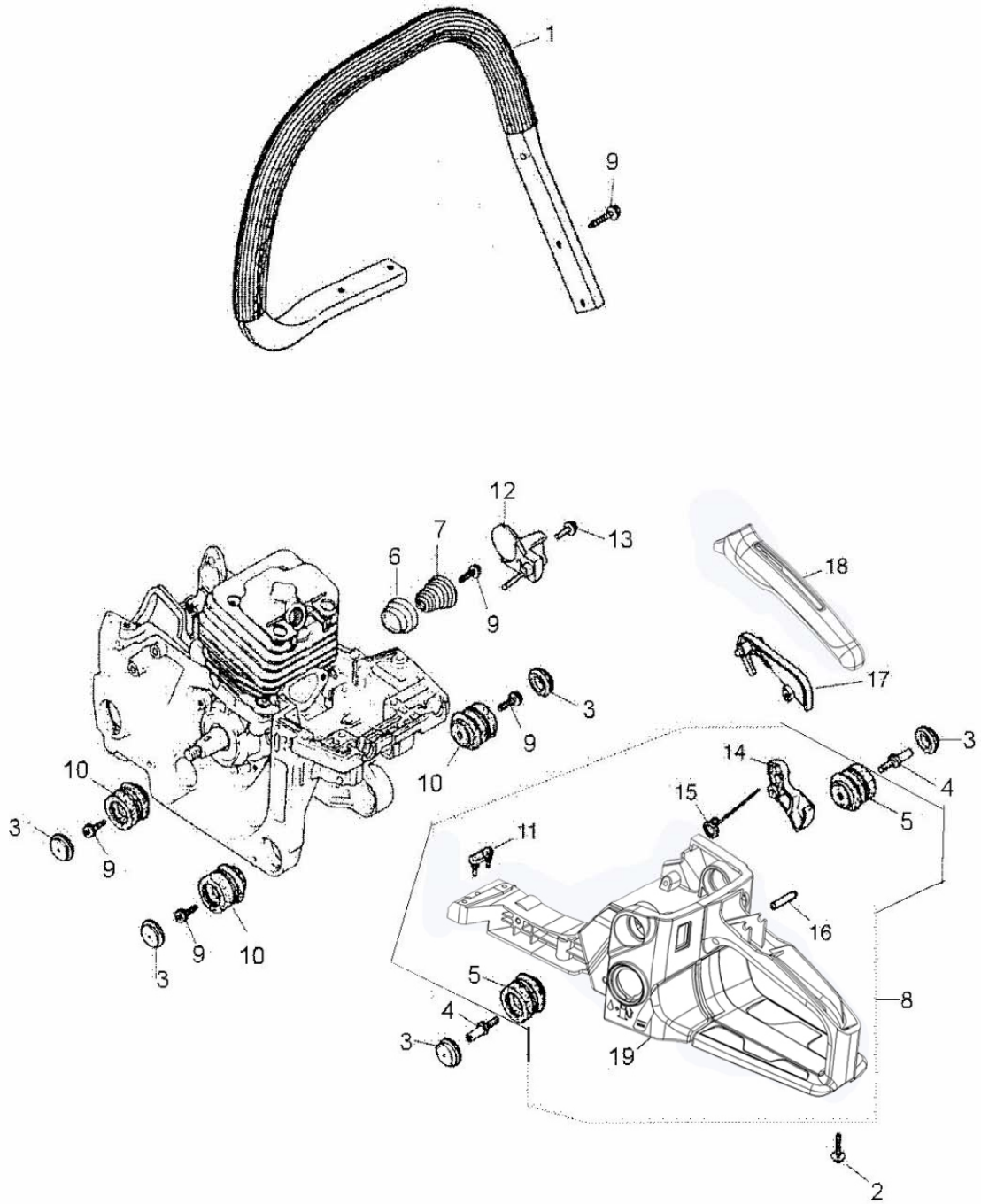
CS45A/52A/58A

Fig.2 IGNITION, STARTING



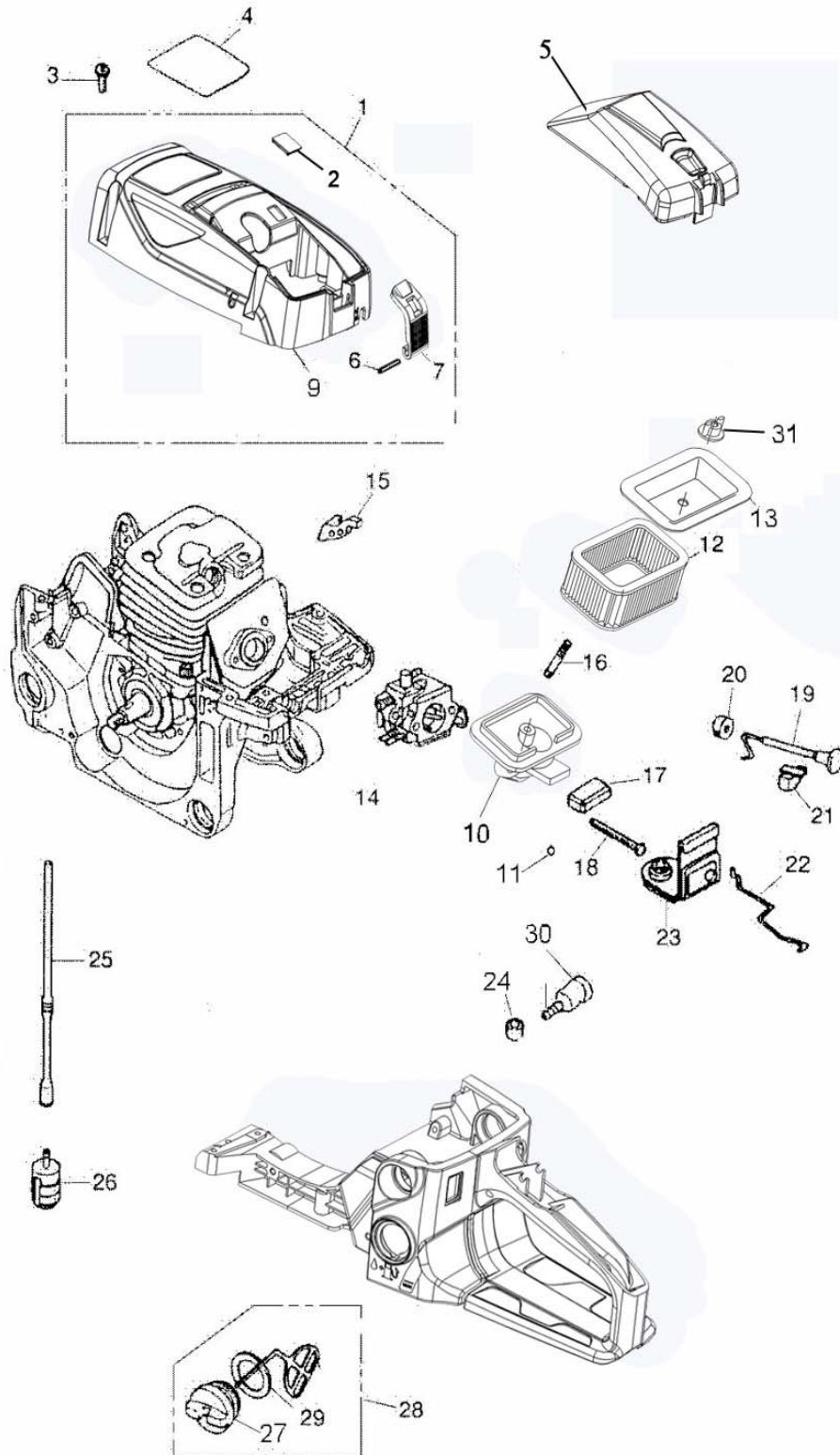
CS45A/52A/58A

Fig.3 HANDLE



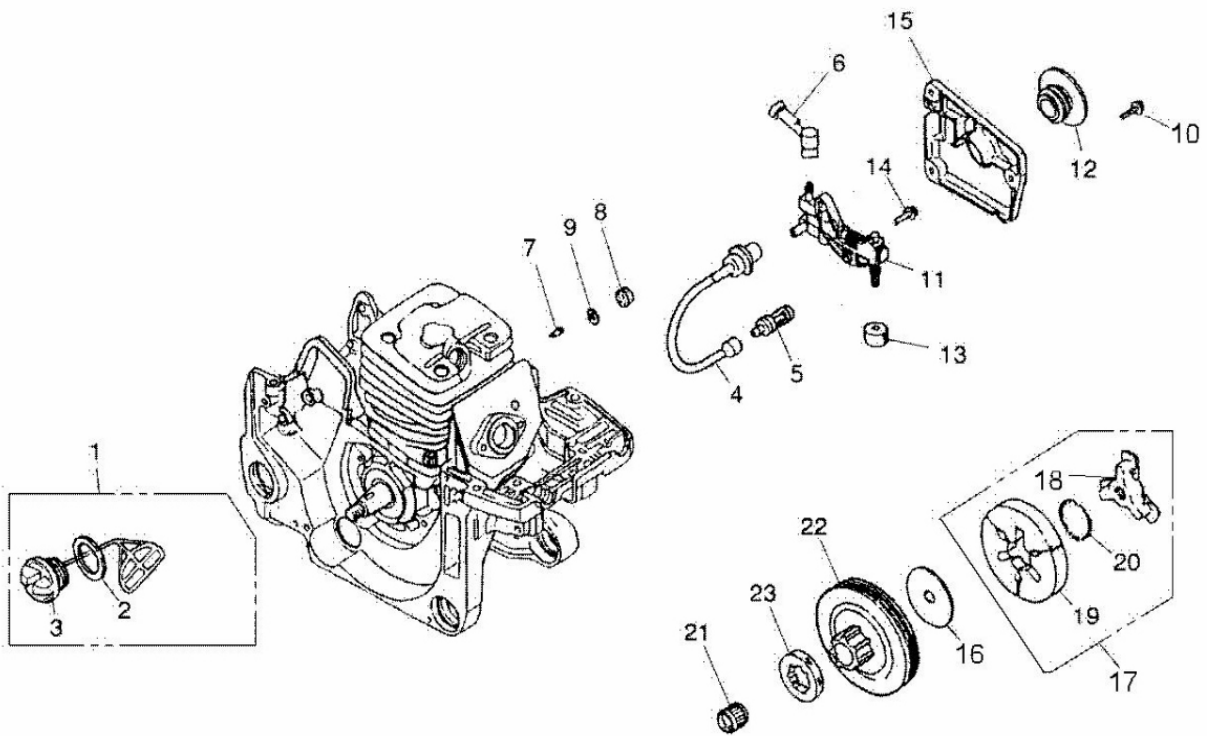
CS45A/52A/58A

Fig.4 FUELING SYSTEMS



CS45A/52A/58A

Fig.5 OIL SYSTEM, CLUTCH



CS45A/52A/58A

Fig.6 BREAKING SYSTEMS

